

*Since 1968*

**COMMAX**  
SmartHome & Security

# User Manual

DOOR PHONE DP-2S



[www.commax.com](http://www.commax.com)

**COMMAX Co.,Ltd.**





- Thank you for purchasing COMMAX products.
- Please carefully read this User's Guide (in particular, precautions for safety) before using a product and follow instructions to use a product exactly.
- The company is not responsible for any safety accidents caused by abnormal operation of the product.



## 1. Warnings and Caution

To prevent fire or shock hazard, do not expose the unit to rain or moisture.

 This symbol is intended to alert the user to the presence of uninsulated "dangerous Voltage" within the product's enclosure that may be of sufficient magnitude to constitute a risk of electric shock to persons.

 This symbol is intended to alert the user to the presence of important operating and maintenance (servicing) instructions in the literature accompanying the appliance.



**caution**

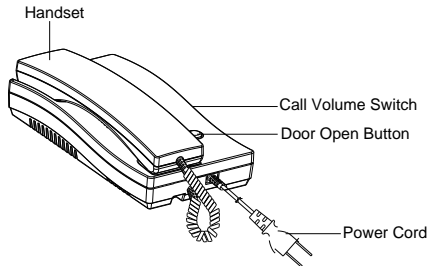
Risk of electric shock  
do not open



**CAUTION :** To reduce the risk of electric shock, do not remove cover(or back) no user-serviceable part inside refer servicing to qualified service personnel.



## 2. Overview



## 3. Operation

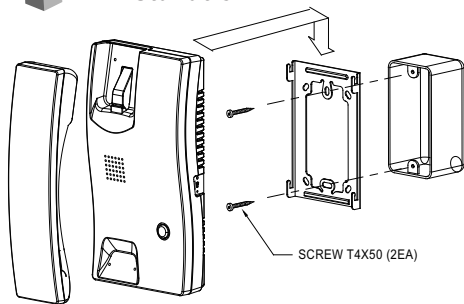
### [SUB UNIT]

1. Electric chime call.
2. Back call tone for visitor.
3. Hands free talk within 30cm.

### [MASTER UNIT]

1. Lift up handset and talk when a call's coming.
2. Control a call sound with volume control.
3. Door release button able to open the door.

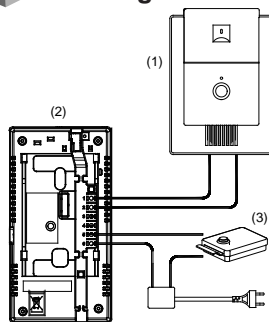
## 4. Installation



## 6. Specification

Model	DP-2S
Power Source	100/110/120/220/230/240V~, 50/60Hz
Consumption Power	4.5W(MAX)
Distance	100m(∅0.65mm), 150m(∅0.8mm)
Wiring	Call : 2-wire, Door Release : 2-wire(∅ 1.6mm Copper wire)
Dimension(mm)	108(W)°X210(H)°X61.4(D)mm
Weight(g)	640g

## 5. Wiring



1. Non polarity wiring with Sub Unit(1) and Master Unit (2).
2. Door Release(3) should be provided with additional power source.

# **COMMAX**

**COMMAX Co.,Ltd.**

513-11, Sangdaewon-dong, Jungwon-gu, Seongnam-si, Gyeonggi-do, Korea  
Int'l Business Dept. : Tel.; +82-31-7393-540~550 Fax.; +82-31-745-2133  
Web site : [www.commax.com](http://www.commax.com)

*Printed In Korea / 2016.04.105*